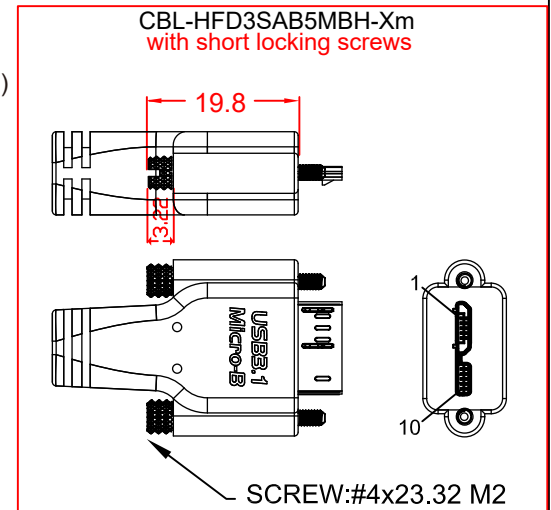
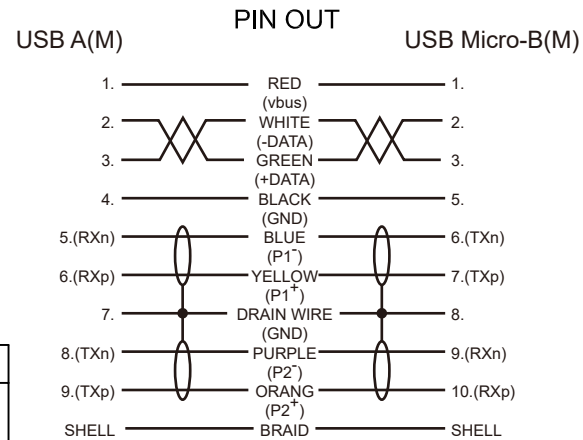


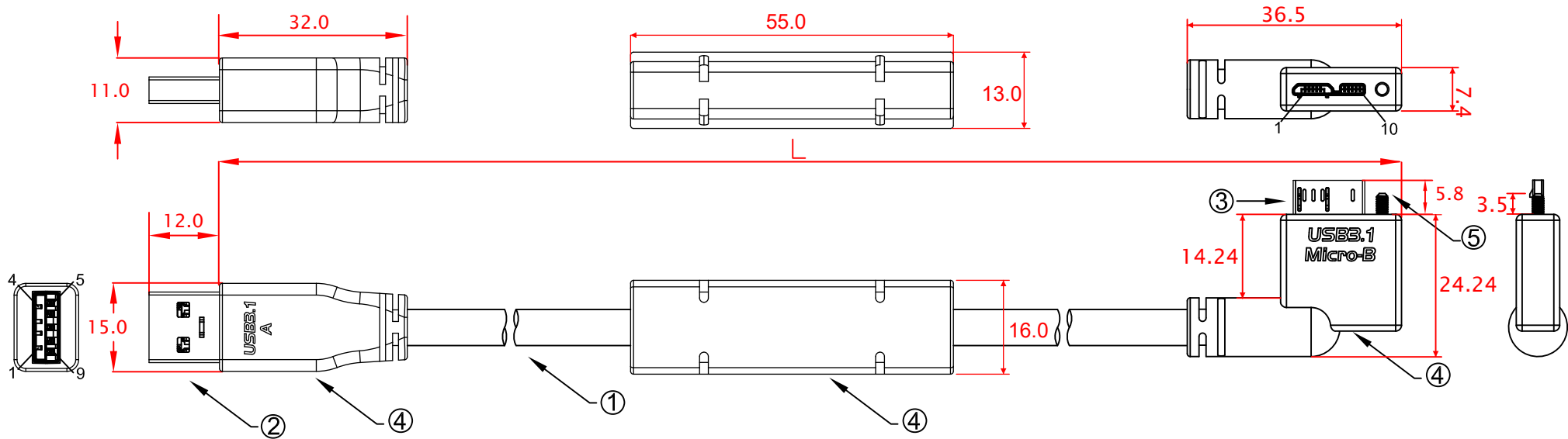
L:
 CBL-HFD3SAB5MBS-4m 4000mm±30mm
 CBL-HFD3SAB6MBS-5m 5000mm±30mm
 CBL-HFD3SAB6MBS-6m 6000mm±30mm



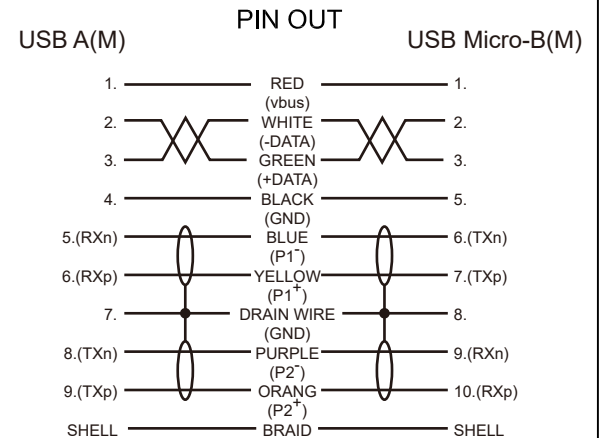
No	MATERIALS LIST:
1.	CABLE: 3 x (2 x 28 AWG)ST + 2 x 26 AWG O.D.:.6.1mm COLOR:RED LILAC
2.	CONNECTOR:USB 3.0 A/M, 9P, BLUE INSULATOR SOLDER TYPE, NICKEL PLATED SHELL
3.	CONNECTOR:USB 3.0 MicroB/M, 10P, BLACK INSULATOR SOLDER TYPE, NICKEL PLATED SHELL
4.	PVC MOLDED HOUSING, BLACK COLOR
5.	SCREW:#4x33 M2

Jargy part no.	Client part no.	Approved	SCALE	UNIT
CBL-HFD3SAB5MBS-xm				mm
Drawing Name		Drawn	Date	REV.
USB 3.0 A to MicroB Cable M/M				1.0

Mobile Computing JARGY

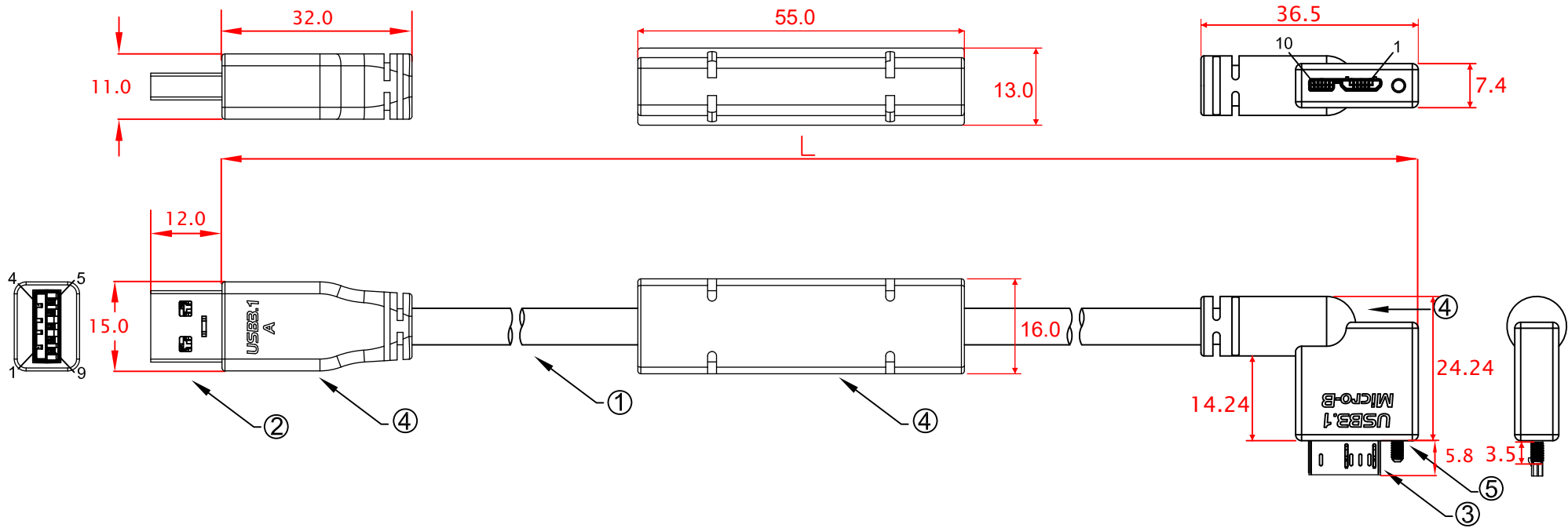


L:
 CBL-HFD3SAB5MBH-4mLA 4000mm±30mm
 CBL-HFD3SAB6MBH-5mLA 5000mm±30mm
 CBL-HFD3SAB6MBH-6mLA 6000mm±30mm

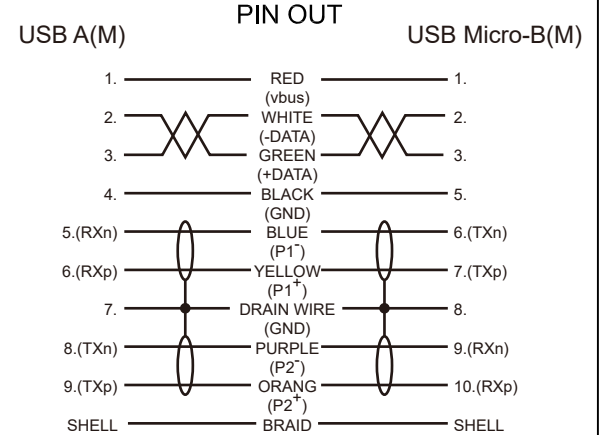


No	MATERIALS LIST:
1.	CABLE: 3 x (2 x 28 AWG)ST + 2 x 26 AWG O.D.:.6.1mm COLOR:RED LILAC
2.	CONNECTOR:USB 3.0 A/M, 9P, BLUE INSULATOR SOLDER TYPE, NICKEL PLATED SHELL
3.	CONNECTOR:USB 3.0 MicroB/M, 10P, BLACK INSULATOR SOLDER TYPE, NICKEL PLATED SHELL
4.	PVC MOLDED HOUSING, BLACK COLOR
5.	SCREW:#4x23.32 M2

Jargy part no.	Client part no.	Approved	SCALE	UNIT
CBL-HFD3SAB5MBH-xmlA				mm
Drawing Name		Drawn	Date	REV.
USB 3.0 A to MicroB Cable M/M				1.0

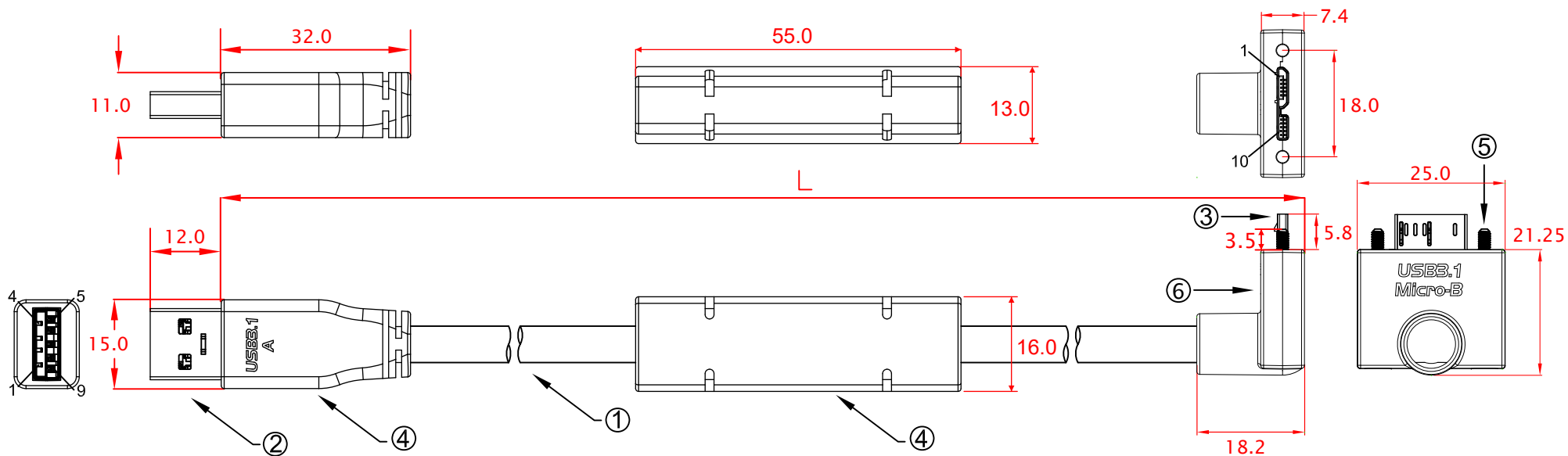


L:
 CBL-HFD3SAB5MBH-4mRA 4000mm±30mm
 CBL-HFD3SAB6MBH-5mRA 5000mm±30mm
 CBL-HFD3SAB6MBH-6mRA 6000mm±30mm

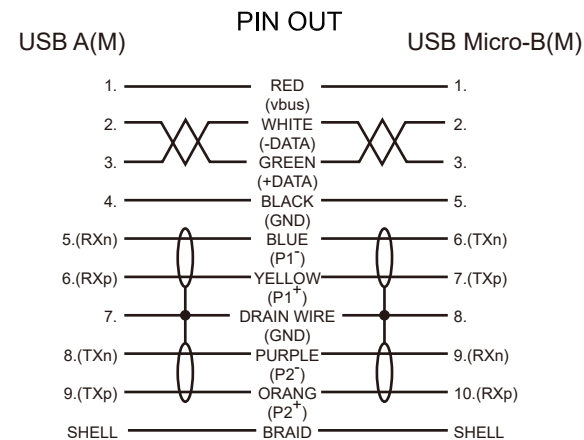


No	MATERIALS LIST:
1.	CABLE: 3 x (2 x 28 AWG)ST + 2 x 26 AWG O.D.:.6.1mm COLOR:RED LILAC
2.	CONNECTOR:USB 3.0 A/M, 9P, BLUE INSULATOR SOLDER TYPE, NICKEL PLATED SHELL
3.	CONNECTOR:USB 3.0 MicroB/M, 10P, BLACK INSULATOR SOLDER TYPE, NICKEL PLATED SHELL
4.	PVC MOLDED HOUSING, BLACK COLOR
5.	SCREW:#4x23.32 M2

Jargy part no.	Client part no.	Approved	SCALE	UNIT
CBL-HFD3SAB5MBH-xmRA				mm
Drawing Name		Drawn	Date	REV.
USB 3.0 A to MicroB Cable M/M				1.0

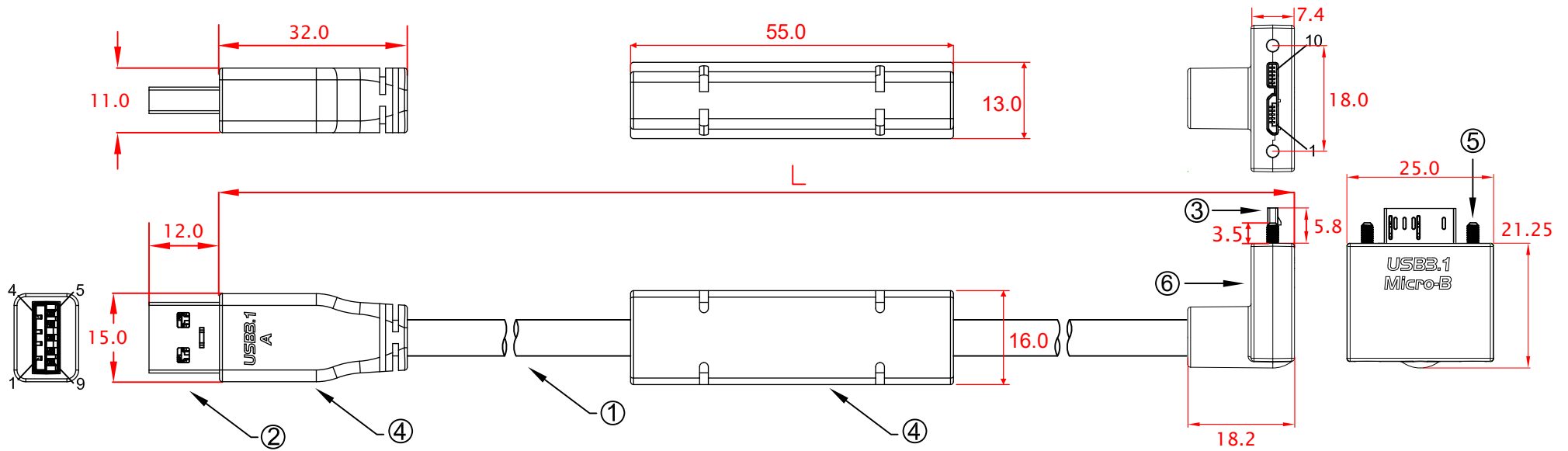


L:
 CBL-HFD3SAB5MBH-4mUA 4000mm±30mm
 CBL-HFD3SAB6MBH-5mUA 5000mm±30mm
 CBL-HFD3SAB6MBH-6mUA 6000mm±30mm

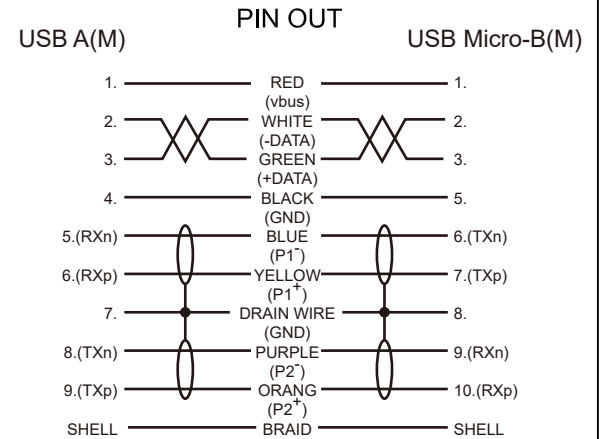


No	MATERIALS LIST:
1.	CABLE: 3 x (2 x 28 AWG)ST + 2 x 26 AWG O.D.:6.1mm COLOR:RED LILAC
2.	CONNECTOR:USB 3.0 A/M, 9P, BLUE INSULATOR SOLDER TYPE, NICKEL PLATED SHELL
3.	CONNECTOR:USB 3.0 MicroB/M, 10P, BLACK INSULATOR SOLDER TYPE, NICKEL PLATED SHELL
4.	PVC MOLDED HOUSING, BLACK COLOR
5.	SCREW:#4x23.32 M2
6.	ABS ASSEMBLY HOUSING, BLACK COLOR

Jargy part no.	Client part no.	Approved	SCALE	UNIT
CBL-HFD3SAB5MBH-xmUA				mm
Drawing Name		Drawn	Date	REV.
USB 3.0 A to MicroB Cable M/M				1.0

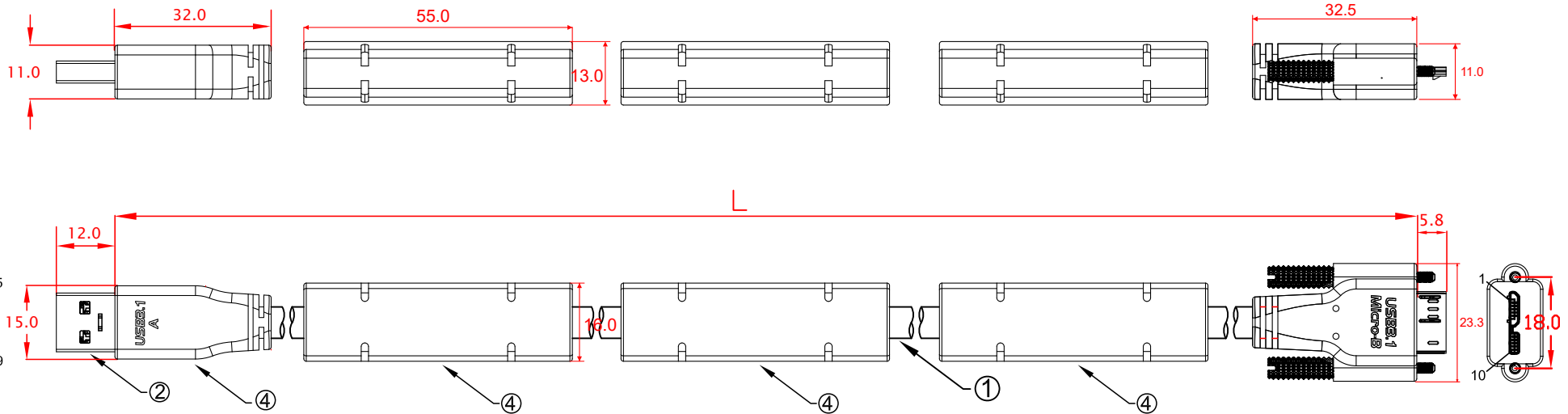


L:
 CBL-HFD3SAB5MBH-4mDA 4000mm±30mm
 CBL-HFD3SAB6MBH-5mDA 5000mm±30mm
 CBL-HFD3SAB6MBH-6mDA 6000mm±30mm

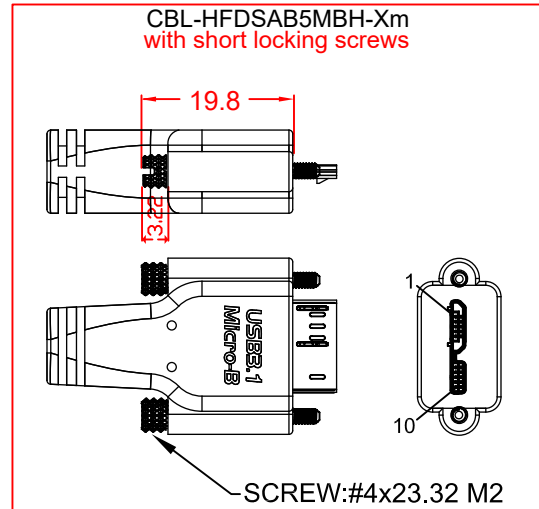
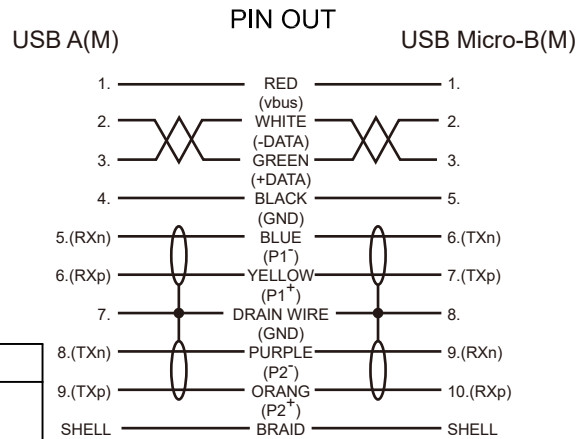


No	MATERIALS LIST:
1.	CABLE: 3 x (2 x 28 AWG)ST + 2 x 26 AWG O.D.:6.1mm COLOR:RED LILAC
2.	CONNECTOR:USB 3.0 A/M, 9P, BLUE INSULATOR SOLDER TYPE, NICKEL PLATED SHELL
3.	CONNECTOR:USB 3.0 MicroB/M, 10P, BLACK INSULATOR SOLDER TYPE, NICKEL PLATED SHELL
4.	PVC MOLDED HOUSING, BLACK COLOR
5.	SCREW:#4x23.32 M2
6.	ABS ASSEMBLY HOUSING, BLACK COLOR

Jargy part no.	Client part no.	Approved	SCALE	UNIT
CBL-HFD3SAB5MBH-xmDA				mm
Drawing Name		Drawn	Date	REV.
USB 3.0 A to MicroB Cable M/M				1.0



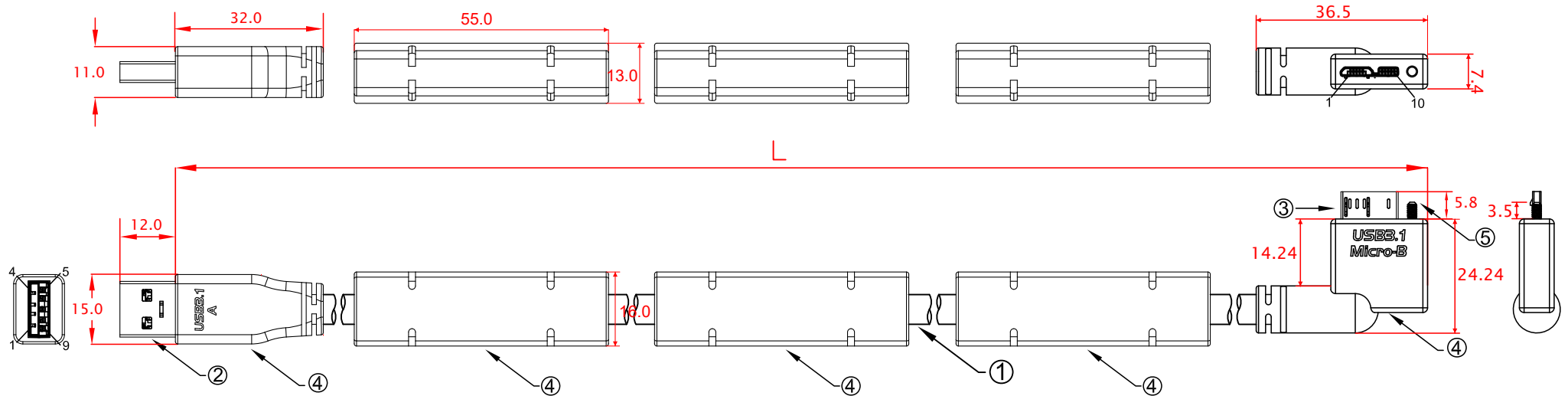
L:
 CBL-HFD3SAB5MBS-7m 7000mm±50mm
 CBL-HFD3SAB5MBS-8m 8000mm±50mm
 CBL-HFD3SAB5MBS-9m 9000mm±50mm



No	MATERIALS LIST:
1.	CABLE: 3 x (2 x 28 AWG)ST + 2 x 26 AWG O.D.:.6.1mm COLOR:RED LILAC
2.	CONNECTOR:USB 3.0 A/M, 9P, BLUE INSULATOR SOLDER TYPE, NICKEL PLATED SHELL
3.	CONNECTOR:USB 3.0 MicroB/M, 10P, BLACK INSULATOR SOLDER TYPE, NICKEL PLATED SHELL
4.	PVC MOLDED HOUSING, BLACK COLOR
5.	SCREW:#4x33 M2

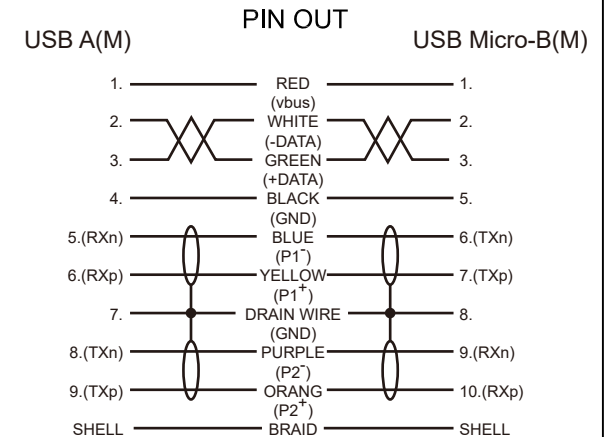
Jargy part no.	Client part no.	Approved	SCALE	UNIT
CBL-HFD3SAB5MBS-xm				mm
Drawing Name		Drawn	Date	REV.
USB 3.0 A to MicroB Cable M/M				1.0

Mobile Computing JARGY

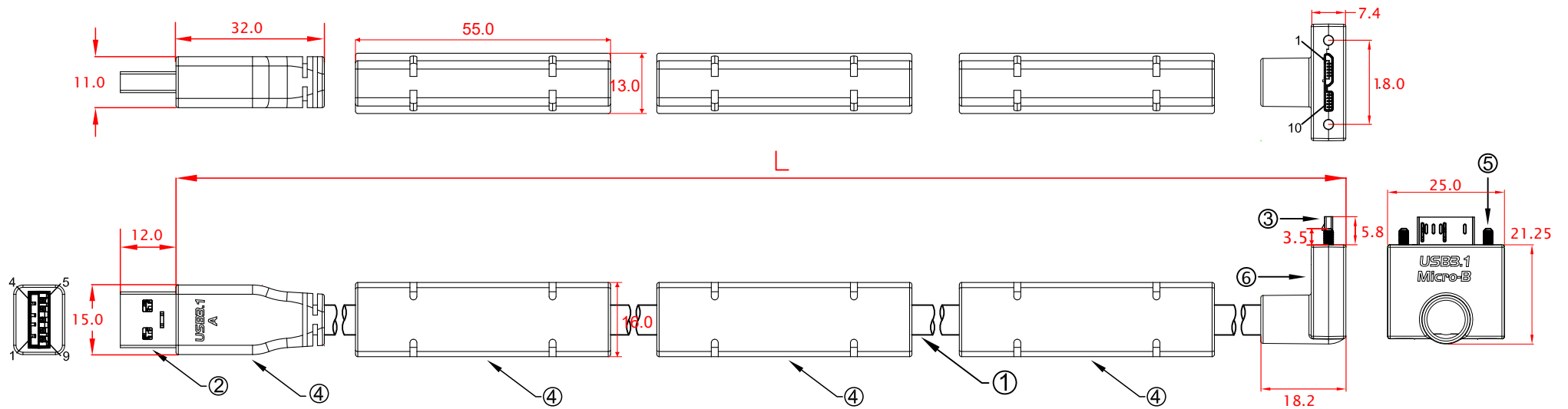


L:
 CBL-HFD3SAB5MBH-7mLA 7000mm±50mm
 CBL-HFD3SAB5MBH-8mLA 8000mm±50mm
 CBL-HFD3SAB5MBH-9mLA 9000mm±50mm

No	MATERIALS LIST:
1.	CABLE: 3 x (2 x 28 AWG)ST + 2 x 26 AWG O.D.:.6.1mm COLOR:RED LILAC
2.	CONNECTOR:USB 3.0 A/M, 9P, BLUE INSULATOR SOLDER TYPE, NICKEL PLATED SHELL
3.	CONNECTOR:USB 3.0 MicroB/M, 10P, BLACK INSULATOR SOLDER TYPE, NICKEL PLATED SHELL
4.	PVC MOLDED HOUSING, BLACK COLOR
5.	SCREW:#4x23.32 M2

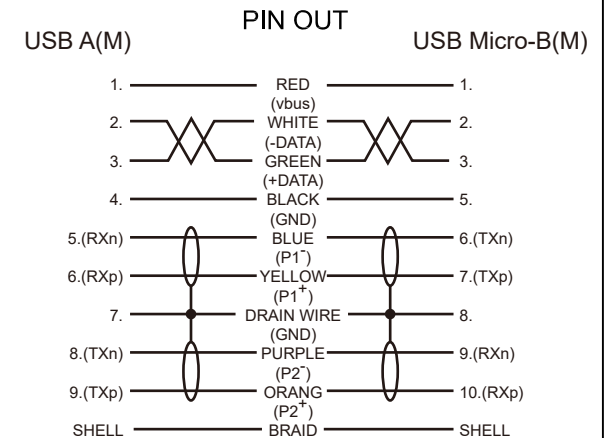


Jargy part no.	Client part no.	Approved	SCALE	UNIT
CBL-HFD3SAB5MBH-xmLA				mm
Drawing Name		Drawn	Date	REV.
USB 3.0 A to MicroB Cable M/M				1.0

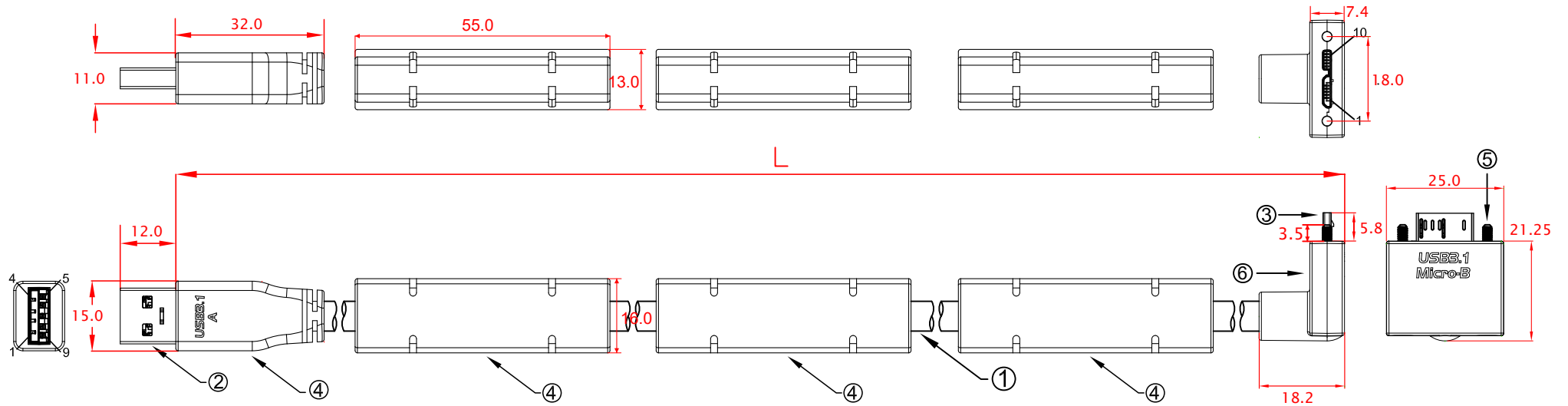


L:
 CBL-HFD3SAB5MBH-7mUA 7000mm±50mm
 CBL-HFD3SAB5MBH-8mUA 8000mm±50mm
 CBL-HFD3SAB5MBH-9mUA 9000mm±50mm

No	MATERIALS LIST:
1.	CABLE: 3 x (2 x 28 AWG)ST + 2 x 26 AWG O.D.:.6.1mm COLOR:RED LILAC
2.	CONNECTOR:USB 3.0 A/M, 9P, BLUE INSULATOR SOLDER TYPE, NICKEL PLATED SHELL
3.	CONNECTOR:USB 3.0 MicroB/M, 10P, BLACK INSULATOR SOLDER TYPE, NICKEL PLATED SHELL
4.	PVC MOLDED HOUSING, BLACK COLOR
5.	SCREW:#4x23.32 M2
6.	ABS ASSEMBLY HOUSING, BLACK COLOR

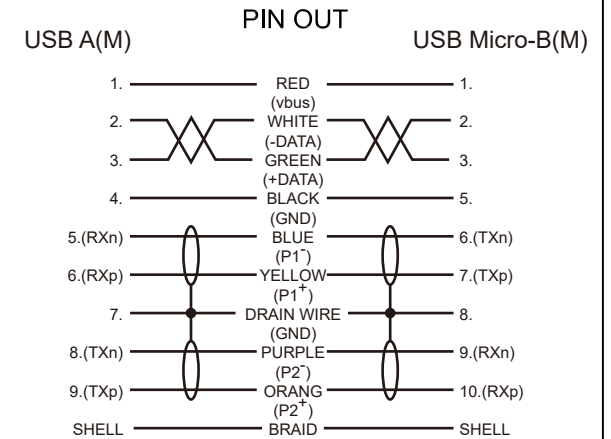


Jargy part no.	Client part no.	Approved	SCALE	UNIT
CBL-HFD3SAB5MBH-xmUA				mm
Drawing Name		Drawn	Date	REV.
USB 3.0 A to MicroB Cable M/M				1.0

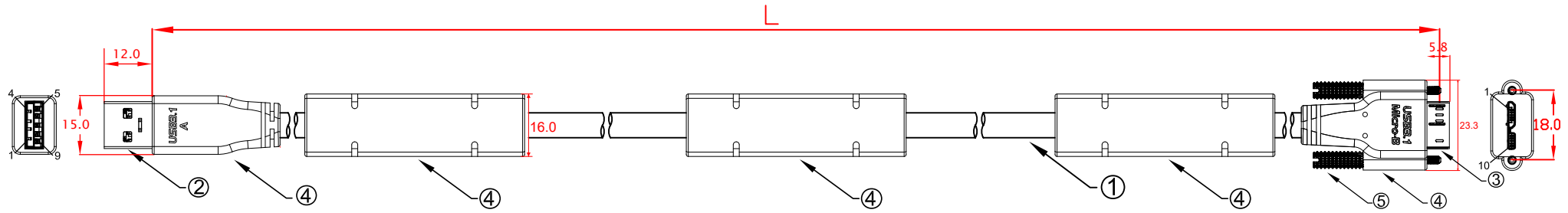
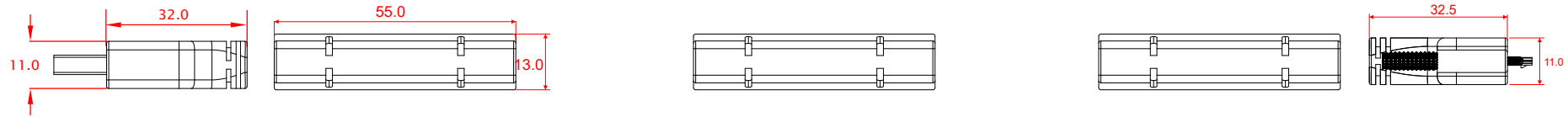


L:
 CBL-HFD3SAB5MBH-7mDA 7000mm±50mm
 CBL-HFD3SAB5MBH-8mDA 8000mm±50mm
 CBL-HFD3SAB5MBH-9mDA 9000mm±50mm

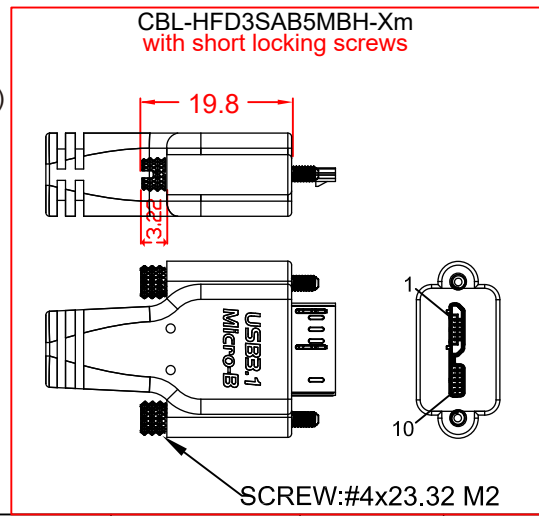
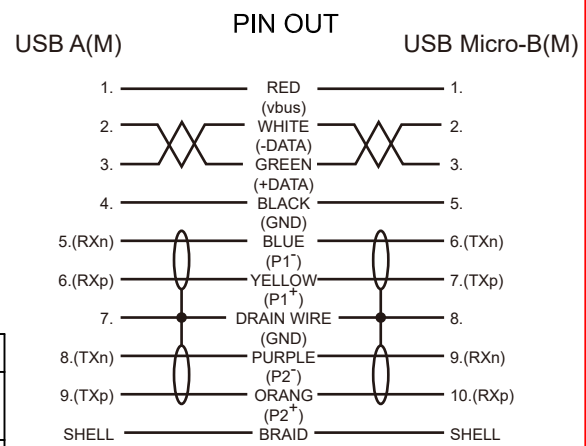
No	MATERIALS LIST:
1.	CABLE: 3 x (2 x 28 AWG)ST + 2 x 26 AWG O.D.:.6.1mm COLOR:RED LILAC
2.	CONNECTOR:USB 3.0 A/M, 9P, BLUE INSULATOR SOLDER TYPE, NICKEL PLATED SHELL
3.	CONNECTOR:USB 3.0 MicroB/M, 10P, BLACK INSULATOR SOLDER TYPE, NICKEL PLATED SHELL
4.	PVC MOLDED HOUSING, BLACK COLOR
5.	SCREW:#4x23.32 M2
6.	ABS ASSEMBLY HOUSING, BLACK COLOR



Jargy part no.	Client part no.	Approved	SCALE	UNIT
CBL-HFD3SAB5MBH-xmDA				mm
Drawing Name		Drawn	Date	REV.
USB 3.0 A to MicroB Cable M/M				1.0

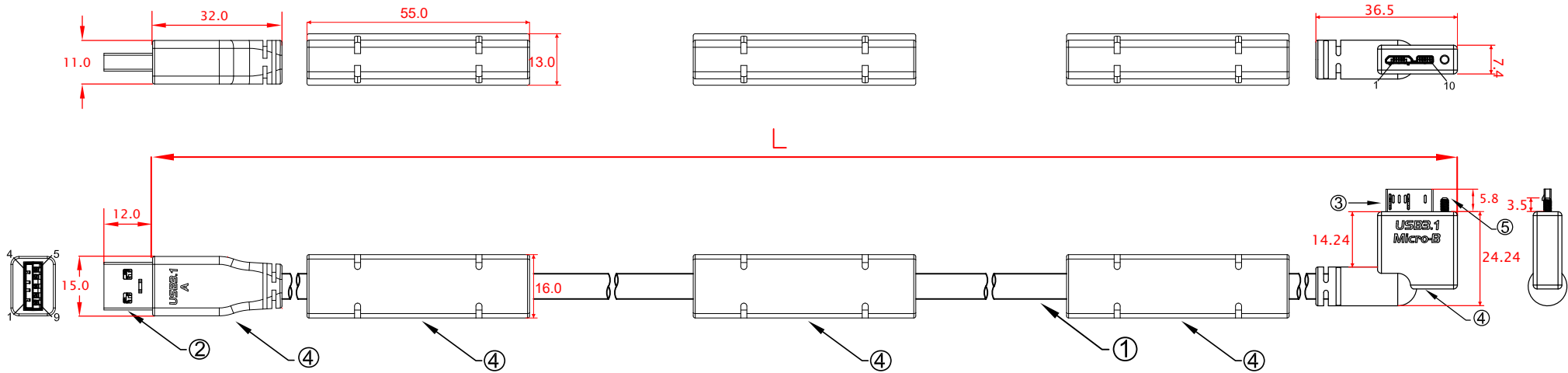


L:
 CBL-HFD3SAB5MBS-10m 10000mm±50mm
 CBL-HFD3SAB5MBS-11m 11000mm±50mm
 CBL-HFD3SAB5MBS-12m 12000mm±50mm



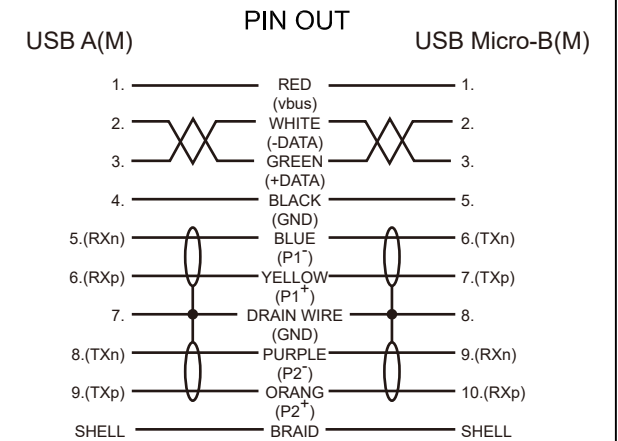
No	MATERIALS LIST:
1.	CABLE: 3 x (2 x 28 AWG)ST + 2 x 26 AWG O.D.:.6.1mm COLOR:RED LILAC
2.	CONNECTOR:USB 3.0 A/M, 9P, BLUE INSULATOR SOLDER TYPE, NICKEL PLATED SHELL
3.	CONNECTOR:USB 3.0 MicroB/M, 10P, BLACK INSULATOR SOLDER TYPE, NICKEL PLATED SHELL
4.	PVC MOLDED HOUSING, BLACK COLOR
5.	SCREW:#4x33 M2

Jargy part no.	Client part no.	Approved	SCALE	UNIT
CBL-HFD3SAB5MBS-xm				mm
Drawing Name		Drawn	Date	REV.
USB 3.0 A to Micro-B Cable M/M				1.0

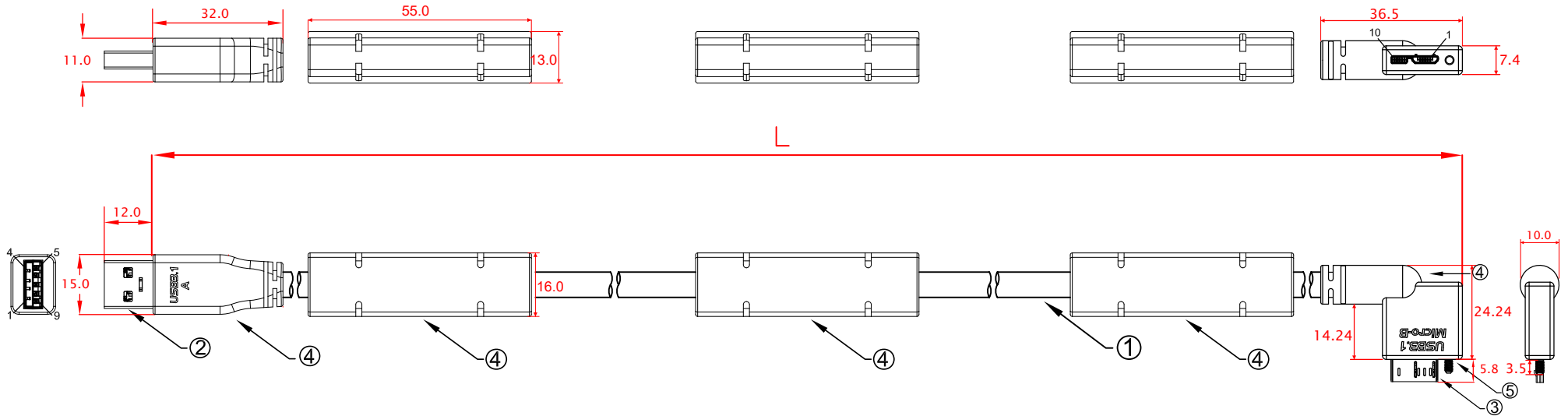


L:
 CBL-HFD3SAB5MBH-10mLA 10000mm±50mm
 CBL-HFD3SAB5MBH-11mLA 11000mm±50mm
 CBL-HFD3SAB5MBH-12mLA 12000mm±50mm

No	MATERIALS LIST:
1.	CABLE: 3 x (2 x 28 AWG)ST + 2 x 26 AWG O.D.:.6.1mm COLOR:RED LILAC
2.	CONNECTOR:USB 3.0 A/M, 9P, BLUE INSULATOR SOLDER TYPE, NICKEL PLATED SHELL
3.	CONNECTOR:USB 3.0 MicroB/M, 10P, BLACK INSULATOR SOLDER TYPE, NICKEL PLATED SHELL
4.	PVC MOLDED HOUSING, BLACK COLOR
5.	SCREW:#4x23.32 M2

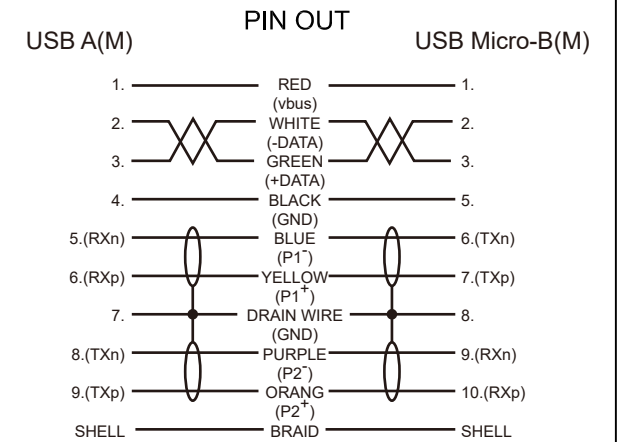


Jargy part no.	Client part no.	Approved	SCALE	UNIT
CBL-HFD3SAB5MBH-xmLA				mm
Drawing Name		Drawn	Date	REV.
USB 3.0 A to Micro-B Cable M/M				1,0

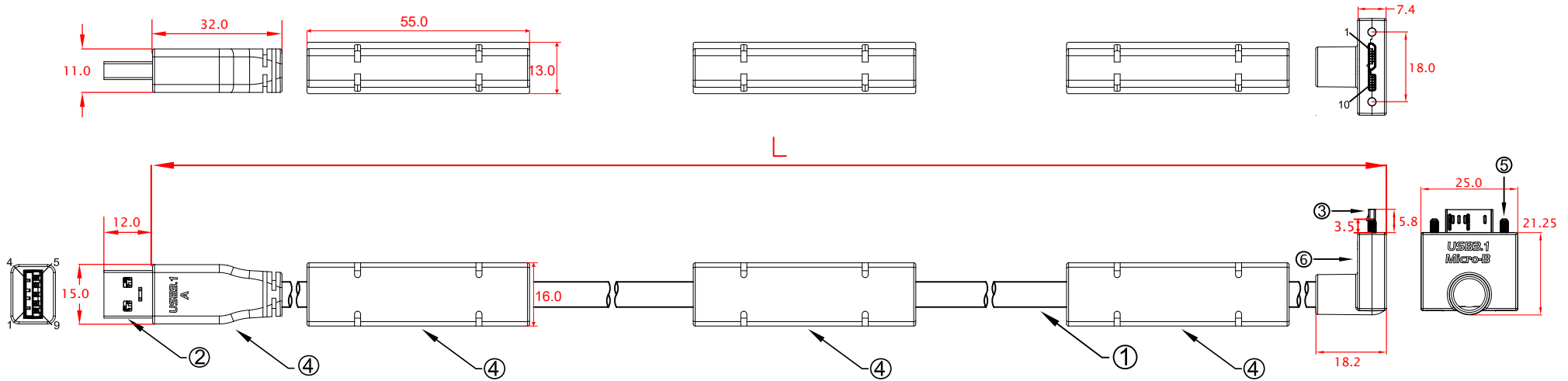


L:
 CBL-HFD3SAB5MBH-10mRA 10000mm±50mm
 CBL-HFD3SAB5MBH-11mRA 11000mm±50mm
 CBL-HFD3SAB5MBH-12mRA 12000mm±50mm

No	MATERIALS LIST:
1.	CABLE: 3 x (2 x 28 AWG)ST + 2 x 26 AWG O.D.:.6.1mm COLOR:RED LILAC
2.	CONNECTOR:USB 3.0 A/M, 9P, BLUE INSULATOR SOLDER TYPE, NICKEL PLATED SHELL
3.	CONNECTOR:USB 3.0 MicroB/M, 10P, BLACK INSULATOR SOLDER TYPE, NICKEL PLATED SHELL
4.	PVC MOLDED HOUSING, BLACK COLOR
5.	SCREW:#4x23.32 M2

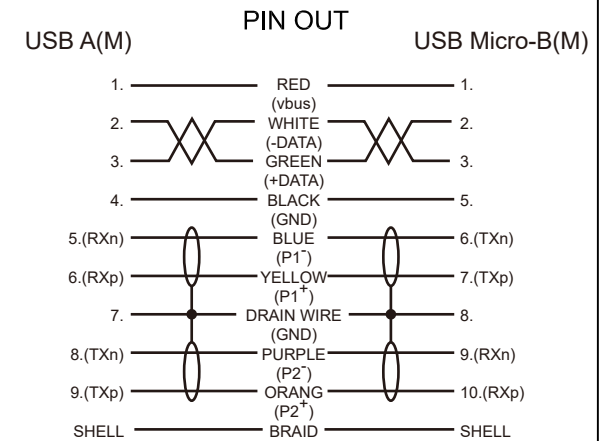


Jargy part no.	Client part no.	Approved	SCALE	UNIT
CBL-HFD3SAB5MBH-xmRA				mm
Drawing Name		Drawn	Date	REV.
USB 3.0 A to Micro-B Cable M/M				1,0

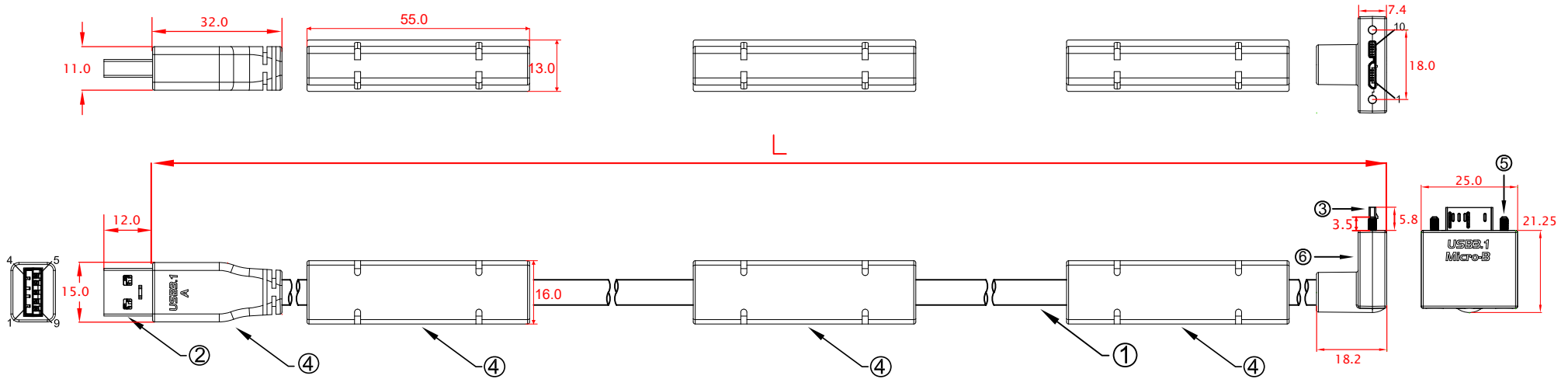


L:
 CBL-HFD3SAB5MBH-10mUA 10000mm±50mm
 CBL-HFD3SAB5MBH-11mUA 11000mm±50mm
 CBL-HFD3SAB5MBH-12mUA 12000mm±50mm

No	MATERIALS LIST:
1.	CABLE: 3 x (2 x 28 AWG)ST + 2 x 26 AWG O.D.:6.1mm COLOR:RED LILAC
2.	CONNECTOR:USB 3.0 A/M, 9P, BLUE INSULATOR SOLDER TYPE, NICKEL PLATED SHELL
3.	CONNECTOR:USB 3.0 MicroB/M, 10P, BLACK INSULATOR SOLDER TYPE, NICKEL PLATED SHELL
4.	PVC MOLDED HOUSING, BLACK COLOR
5.	SCREW:#4x23.32 M2
6.	ABS ASSEMBLY HOUSING, BLACK COLOR

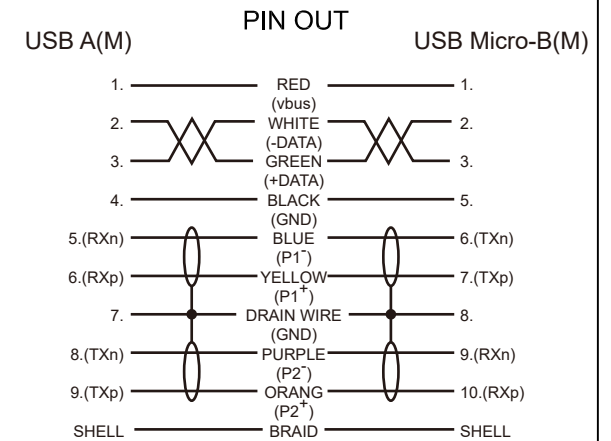


Jargy part no.	Client part no.	Approved	SCALE	UNIT
CBL-HFD3SAB5MBH-xmUA				mm
Drawing Name		Drawn	Date	REV.
USB 3.0 A to Micro-B Cable M/M				1,0

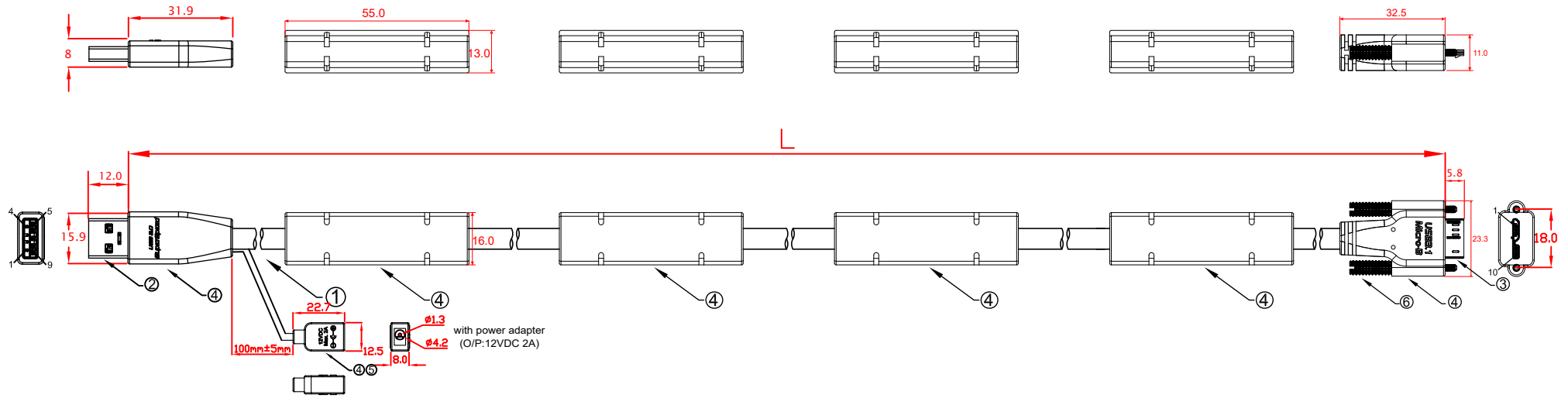


L:
 CBL-HFD3SAB5MBH-10mDA 10000mm±50mm
 CBL-HFD3SAB5MBH-11mDA 11000mm±50mm
 CBL-HFD3SAB5MBH-12mDA 12000mm±50mm

No	MATERIALS LIST:
1.	CABLE: 3 x (2 x 28 AWG)ST + 2 x 26 AWG O.D.:6.1mm COLOR:RED LILAC
2.	CONNECTOR:USB 3.0 A/M, 9P, BLUE INSULATOR SOLDER TYPE, NICKEL PLATED SHELL
3.	CONNECTOR:USB 3.0 MicroB/M, 10P, BLACK INSULATOR SOLDER TYPE, NICKEL PLATED SHELL
4.	PVC MOLDED HOUSING, BLACK COLOR
5.	SCREW:#4x23.32 M2
6.	ABS ASSEMBLY HOUSING, BLACK COLOR



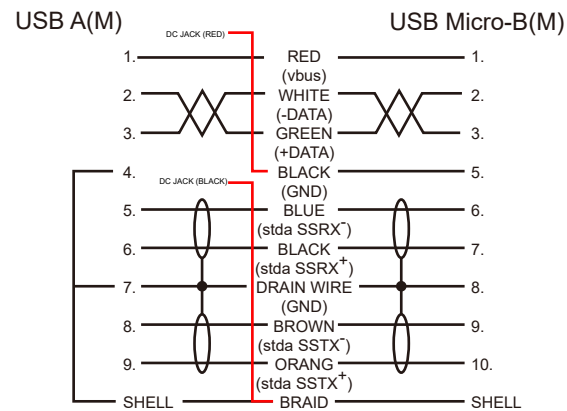
Jargy part no.	Client part no.	Approved	SCALE	UNIT
CBL-HFD3SAB5MBH-xmDA				mm
Drawing Name		Drawn	Date	REV.
USB 3.0 A to Micro-B Cable M/M				1,0



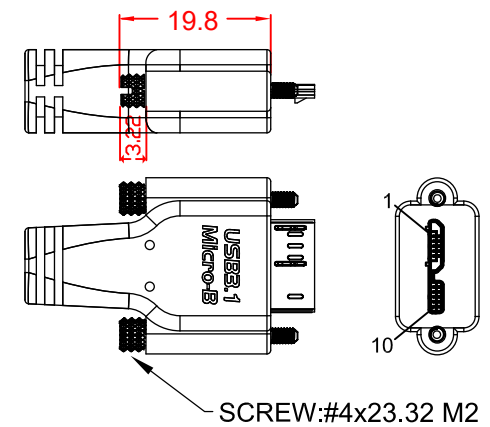
- L:
 CBL-HFD3SAB5MBSPW-13m 13000mm±50mm
 CBL-HFD3SAB5MBSPW-14m 14000mm±50mm
 CBL-HFD3SAB5MBSPW-15m 15000mm±50mm

No	MATERIALS LIST:
1.	CABLE: 3 x (2 x 28 AWG)ST + 2 x 26 AWG O.D.:.6.1mm COLOR:RED LILAC
2.	CONNECTOR:USB 3.0 A/M, 9P, BLUE INSULATOR SOLDER TYPE, NICKEL PLATED SHELL
3.	CONNECTOR:USB 3.0 MicroB/M, 10P, BLACK INSULATOR SOLDER TYPE, NICKEL PLATED SHELL
4.	PVC MOLDED HOUSING, BLACK COLOR
5.	DC JACK 1.3mm 30V 0.3V
6.	SCREW:#4x33 M2

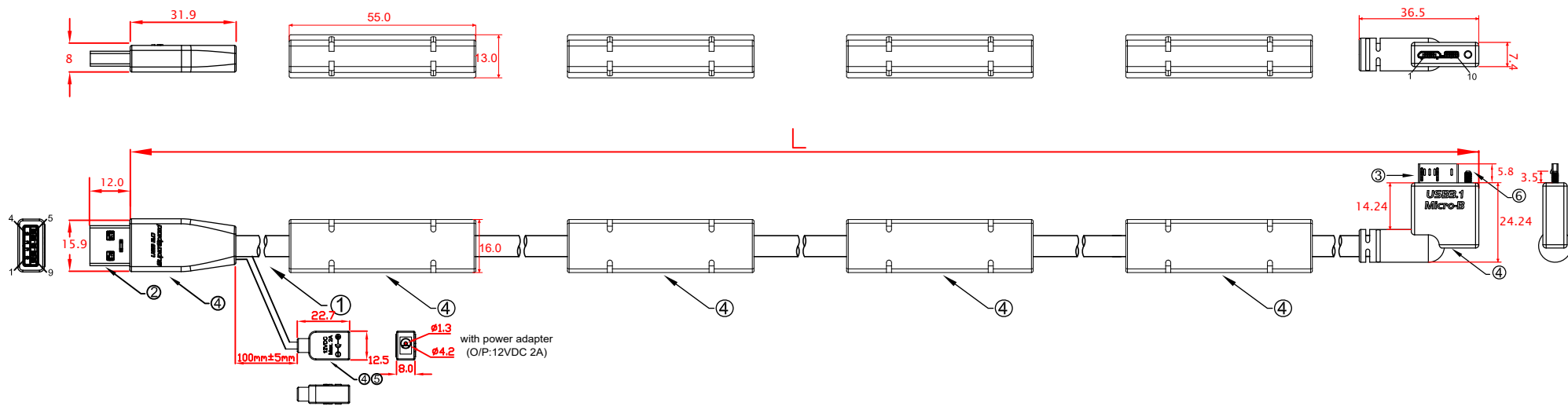
PIN OUT



CBL-HFD3SAB5MBHPW-Xm
with short locking screws



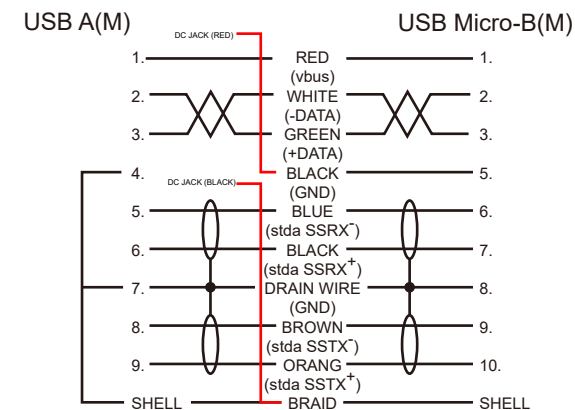
Jargy part no.	Client part no.	Approved	SCALE	UNIT
CBL-HFD3SAB5MBSPW-xm				mm
Drawing Name		Drawn	Date	REV.
USB 3.0 A to Micro-B Cable M/M				1.0



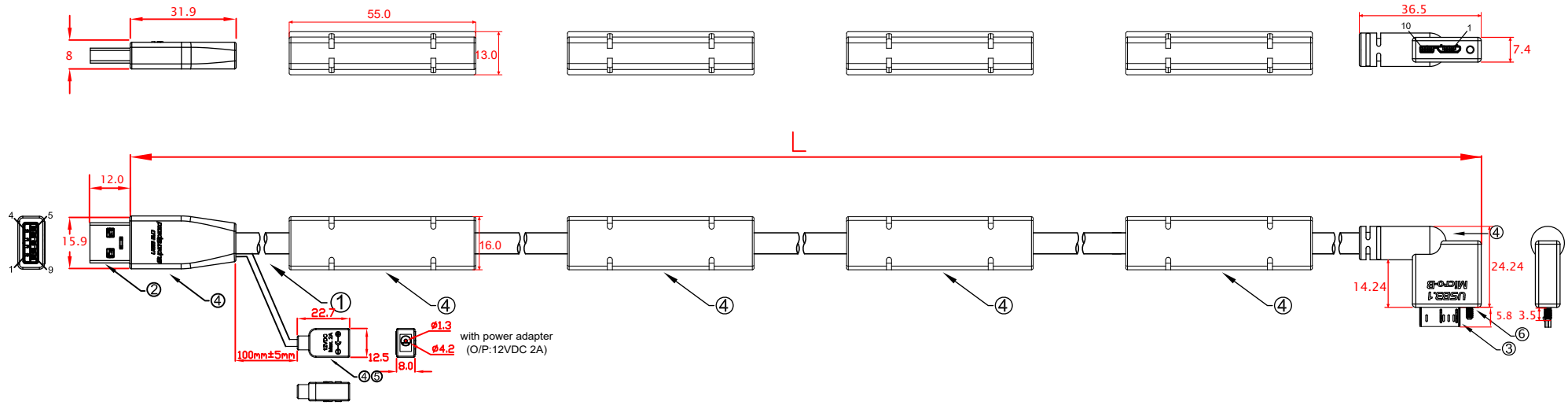
- L:
 CBL-HFD3SAB5MBHPW-13mLA 13000mm±50mm
 CBL-HFD3SAB5MBHPW-14mLA 14000mm±50mm
 CBL-HFD3SAB5MBHPW-15mLA 15000mm±50mm

No	MATERIALS LIST:
1.	CABLE: 3 x (2 x 28 AWG)ST + 2 x 26 AWG O.D.:.6.1mm COLOR:RED LILAC
2.	CONNECTOR:USB 3.0 A/M, 9P, BLUE INSULATOR SOLDER TYPE, NICKEL PLATED SHELL
3.	CONNECTOR:USB 3.0 MicroB/M, 10P, BLACK INSULATOR SOLDER TYPE, NICKEL PLATED SHELL
4.	PVC MOLDED HOUSING, BLACK COLOR
5.	DC JACK 1.3mm 30V 0.3V
6.	SCREW:#4x23.32 M2

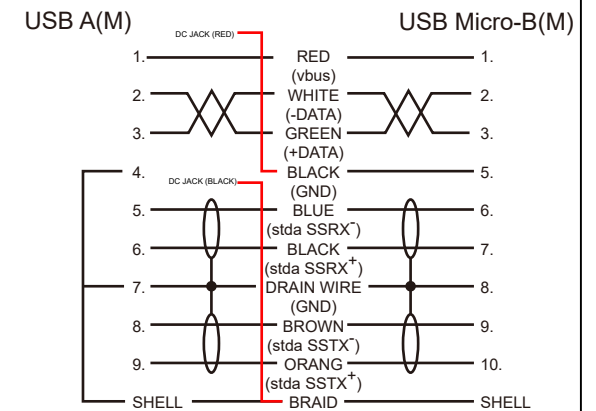
PIN OUT



Jargy part no.	Client part no.	Approved	SCALE	UNIT
CBL-HFD3SAB5MBHPW-xmLA				mm
Drawing Name		Drawn	Date	REV.
USB 3.0 A to Micro-B Cable M/M				1.0



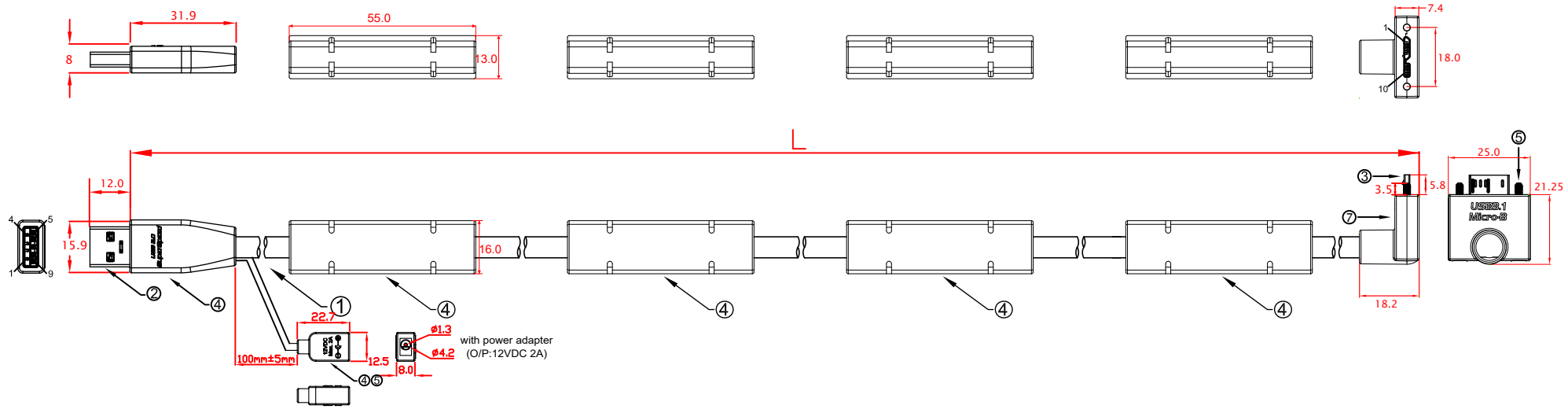
PIN OUT



- L:
 CBL-HFD3SAB5MBHPW-13mRA 13000mm±50mm
 CBL-HFD3SAB5MBHPW-14mRA 14000mm±50mm
 CBL-HFD3SAB5MBHPW-15mRA 15000mm±50mm

No	MATERIALS LIST:
1.	CABLE: 3 x (2 x 28 AWG)ST + 2 x 26 AWG O.D.:.6.1mm COLOR:RED LILAC
2.	CONNECTOR:USB 3.0 A/M, 9P, BLUE INSULATOR SOLDER TYPE, NICKEL PLATED SHELL
3.	CONNECTOR:USB 3.0 MicroB/M, 10P, BLACK INSULATOR SOLDER TYPE, NICKEL PLATED SHELL
4.	PVC MOLDED HOUSING, BLACK COLOR
5.	DC JACK 1.3mm 30V 0.3V
6.	SCREW:#4x23.32 M2

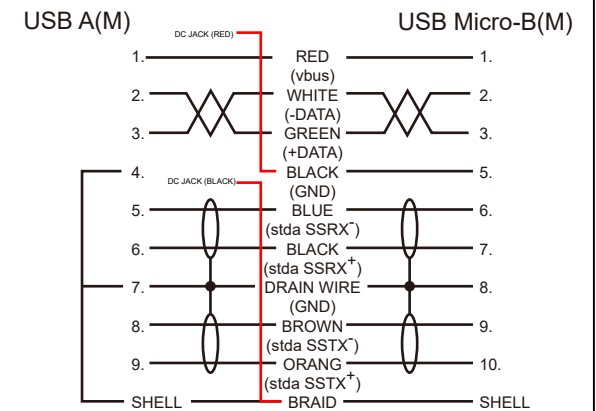
Jargy part no.	Client part no.	Approved	SCALE	UNIT
CBL-HFD3SAB5MBHPW-xmRA				mm
Drawing Name		Drawn	Date	REV.
USB 3.0 A to Micro-B Cable M/M				1.0



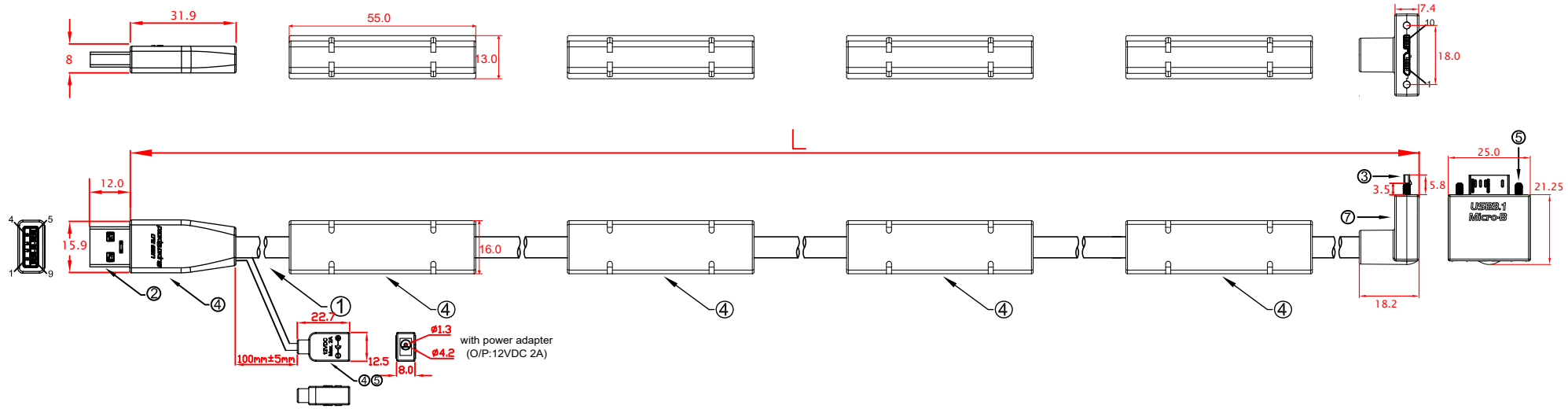
- L:
- CBL-HFD3SAB5MBHPW-13mUA 13000mm±50mm
 - CBL-HFD3SAB5MBHPW-14mUA 14000mm±50mm
 - CBL-HFD3SAB5MBHPW-15mUA 15000mm±50mm

No	MATERIALS LIST:
1.	CABLE: 3 x (2 x 28 AWG)ST + 2 x 26 AWG O.D.:.6.1mm COLOR:RED LILAC
2.	CONNECTOR:USB 3.0 A/M, 9P, BLUE INSULATOR SOLDER TYPE, NICKEL PLATED SHELL
3.	CONNECTOR:USB 3.0 MicroB/M, 10P, BLACK INSULATOR SOLDER TYPE, NICKEL PLATED SHELL
4.	PVC MOLDED HOUSING, BLACK COLOR
5.	DC JACK 1.3mm 30V 0.3V
6.	SCREW:#4x23.32 M2
7.	ABS ASSEMBLY HOUSING, BLACK COLOR

PIN OUT

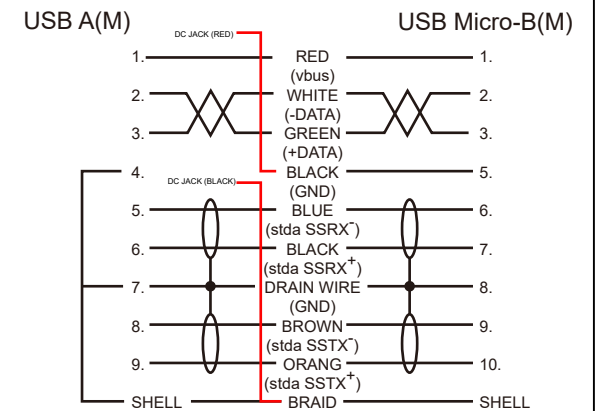


Jargy part no.	Client part no.	Approved	SCALE	UNIT
CBL-HFD3SAB5MBHPW-xmUA				mm
Drawing Name		Drawn	Date	REV.
USB 3.0 A to Micro-B Cable M/M				1.0



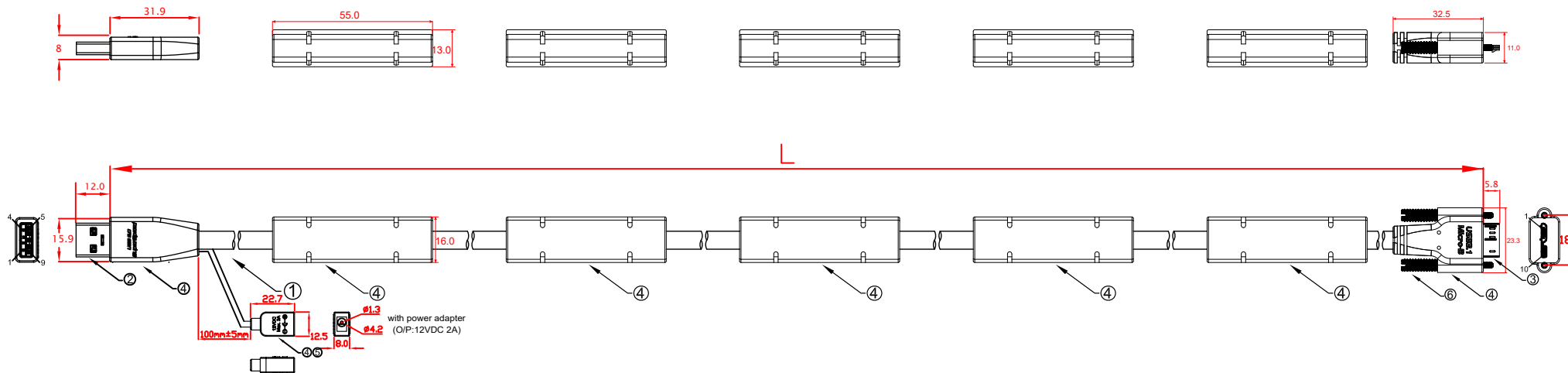
- L:
 CBL-HFD3SAB5MBHPW-13mDA 13000mm±50mm
 CBL-HFD3SAB5MBHPW-14mDA 14000mm±50mm
 CBL-HFD3SAB5MBHPW-15mDA 15000mm±50mm

PIN OUT



No	MATERIALS LIST:
1.	CABLE: 3 x (2 x 28 AWG)ST + 2 x 26 AWG O.D.:.6.1mm COLOR:RED LILAC
2.	CONNECTOR:USB 3.0 A/M, 9P, BLUE INSULATOR SOLDER TYPE, NICKEL PLATED SHELL
3.	CONNECTOR:USB 3.0 MicroB/M, 10P, BLACK INSULATOR SOLDER TYPE, NICKEL PLATED SHELL
4.	PVC MOLDED HOUSING, BLACK COLOR
5.	DC JACK 1.3mm 30V 0.3V
6.	SCREW:#4x23.32 M2
7.	ABS ASSEMBLY HOUSING, BLACK COLOR

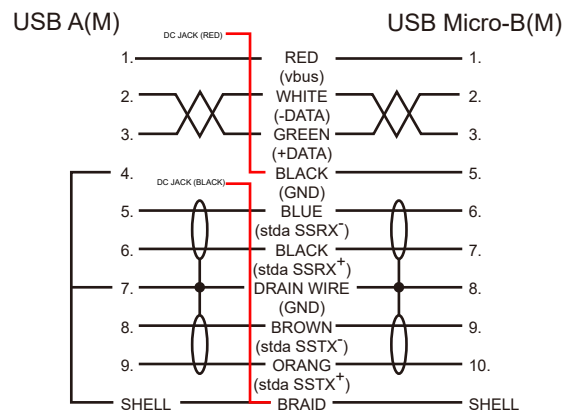
Jargy part no.	Client part no.	Approved	SCALE	UNIT
CBL-HFD3SAB5MBHPW-xmDA				mm
Drawing Name		Drawn	Date	REV.
USB 3.0 A to Micro-B Cable M/M				1.0



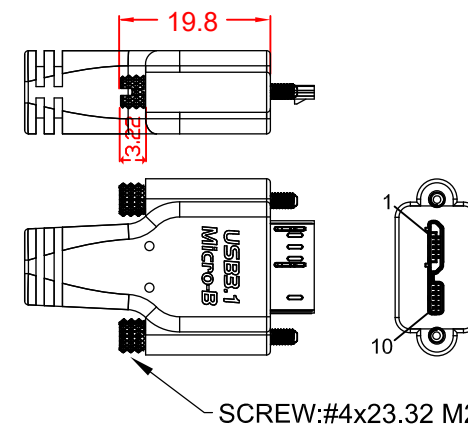
- L:
 CBL-HFD3SAB5MBSPW-16m 16000mm±50mm
 CBL-HFD3SAB5MBSPW-17m 17000mm±50mm
 CBL-HFD3SAB5MBSPW-18m 18000mm±50mm
 CBL-HFD3SAB5MBSPW-19m 19000mm±50mm
 CBL-HFD3SAB5MBSPW-20m 20000mm±50mm

No	MATERIALS LIST:
1.	CABLE: 3 x (2 x 28 AWG)ST + 2 x 26 AWG O.D.:.6.1mm COLOR:RED LILAC
2.	CONNECTOR:USB 3.0 A/M, 9P, BLUE INSULATOR SOLDER TYPE, NICKEL PLATED SHELL
3.	CONNECTOR:USB 3.0 MicroB/M, 10P, BLACK INSULATOR SOLDER TYPE, NICKEL PLATED SHELL
4.	PVC MOLDED HOUSING, BLACK COLOR
5.	DC JACK 1.3mm 30V 0.3V
6.	SCREW:#4x33 M2

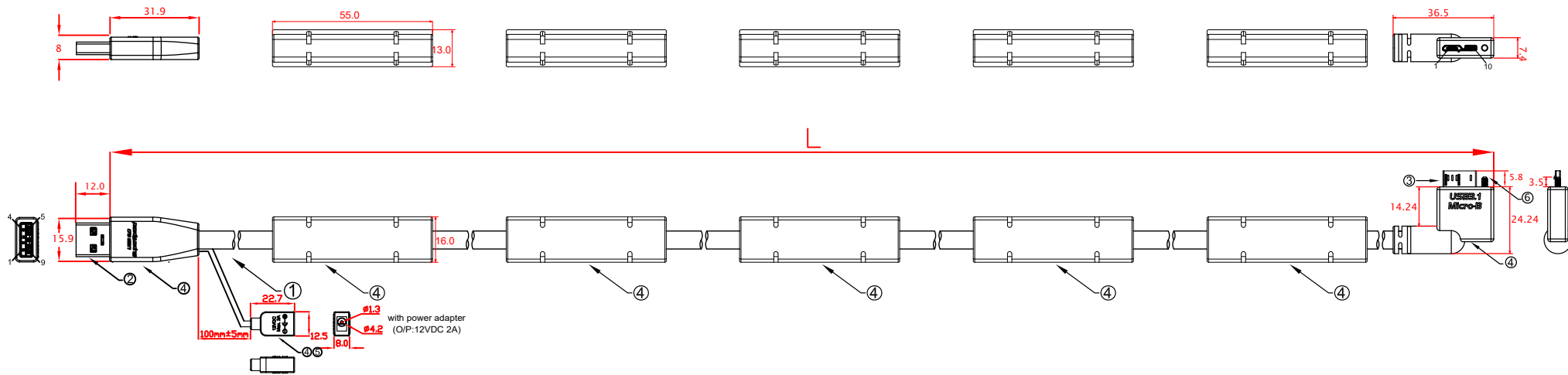
PIN OUT



CBL-HFD3SAB5MBHPW-Xm
with short locking screws



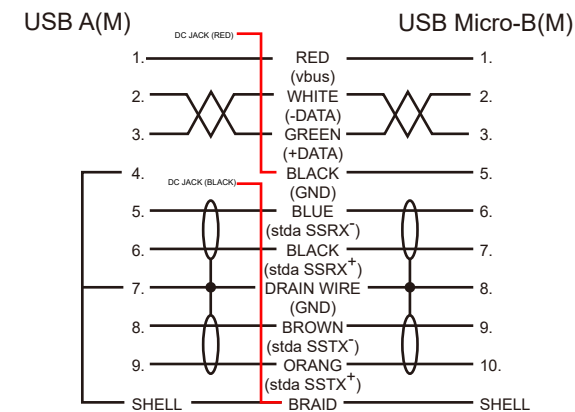
Jargy part no.	Client part no.	Approved	SCALE	UNIT
CBL-HFD3SAB5MBSPW-xm				mm
Drawing Name		Drawn	Date	REV.
USB 3.0 A to Micro-B Cable M/M				1.0



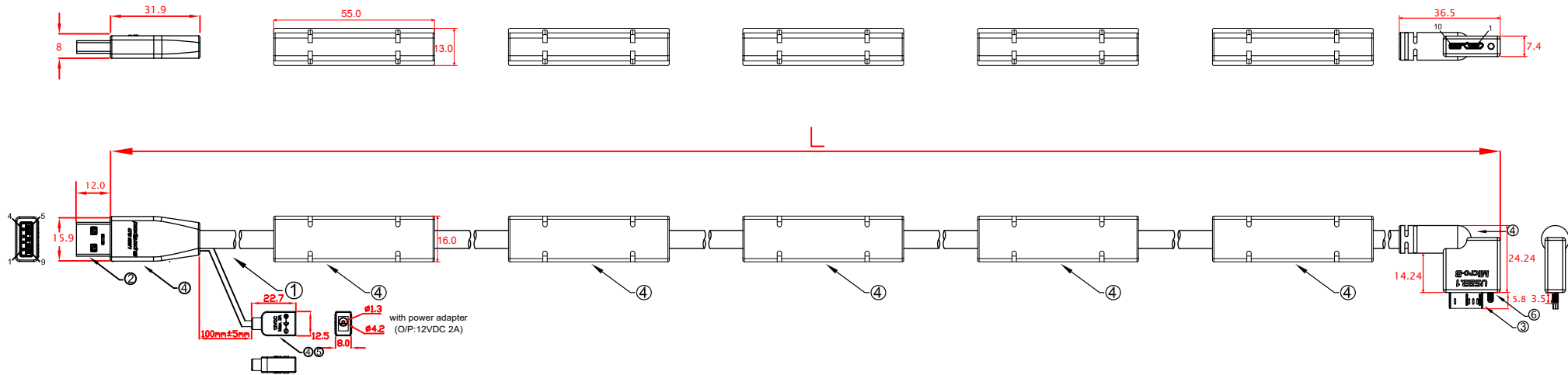
- L:
- CBL-HFD3SAB5MBHPW-16mLA 16000mm±50mm
 - CBL-HFD3SAB5MBHPW-17mLA 17000mm±50mm
 - CBL-HFD3SAB5MBHPW-18mLA 18000mm±50mm
 - CBL-HFD3SAB5MBHPW-19mLA 19000mm±50mm
 - CBL-HFD3SAB5MBHPW-20mLA 20000mm±50mm

No	MATERIALS LIST:
1.	CABLE: 3 x (2 x 28 AWG)ST + 2 x 26 AWG O.D.:.6.1mm COLOR:RED LILAC
2.	CONNECTOR:USB 3.0 A/M, 9P, BLUE INSULATOR SOLDER TYPE, NICKEL PLATED SHELL
3.	CONNECTOR:USB 3.0 MicroB/M, 10P, BLACK INSULATOR SOLDER TYPE, NICKEL PLATED SHELL
4.	PVC MOLDED HOUSING, BLACK COLOR
5.	DC JACK 1.3mm 30V 0.3V
6.	SCREW:#4x23.32 M2

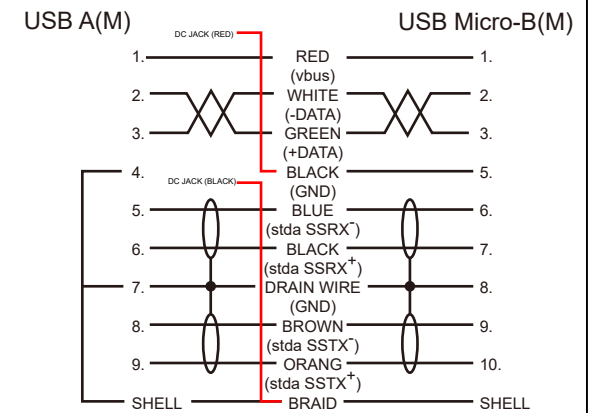
PIN OUT



Jargy part no.	Client part no.	Approved	SCALE	UNIT
CBL-HFD3SAB5MBHPW-xmLA				mm
Drawing Name		Drawn	Date	REV.
USB 3.0 A to Micro-B Cable M/M				1.0



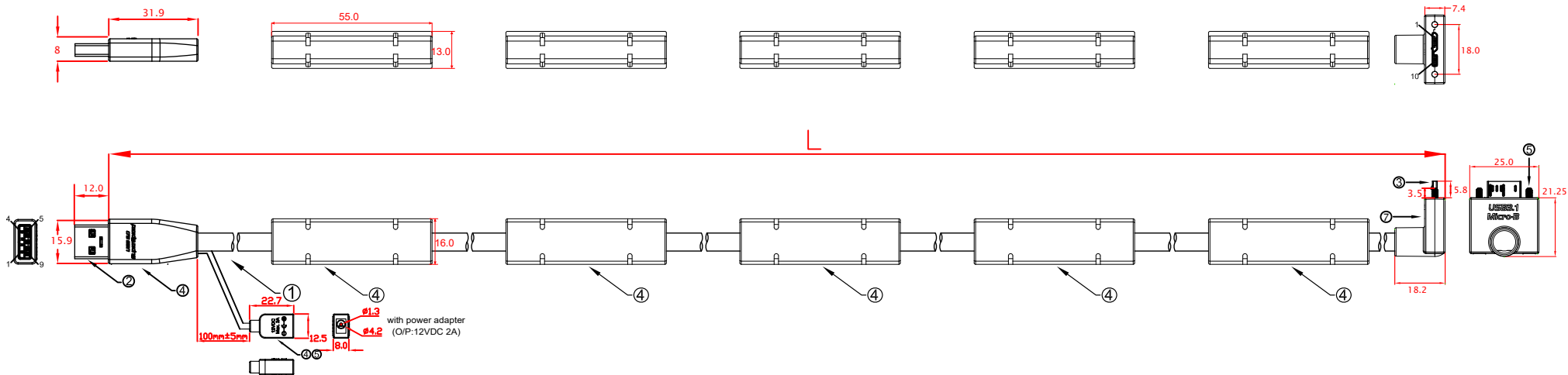
PIN OUT



- L:
 CBL-HFD3SAB5MBHPW-16mRA 16000mm±50mm
 CBL-HFD3SAB5MBHPW-17mRA 17000mm±50mm
 CBL-HFD3SAB5MBHPW-18mRA 18000mm±50mm
 CBL-HFD3SAB5MBHPW-19mRA 19000mm±50mm
 CBL-HFD3SAB5MBHPW-20mRA 20000mm±50mm

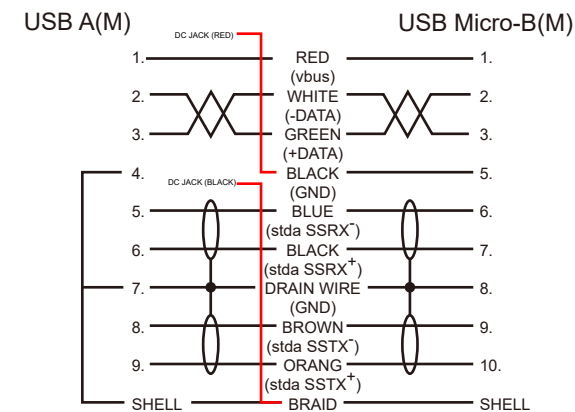
No	MATERIALS LIST:
1.	CABLE: 3 x (2 x 28 AWG)ST + 2 x 26 AWG O.D.:.6.1mm COLOR:RED LILAC
2.	CONNECTOR:USB 3.0 A/M, 9P, BLUE INSULATOR SOLDER TYPE, NICKEL PLATED SHELL
3.	CONNECTOR:USB 3.0 MicroB/M, 10P, BLACK INSULATOR SOLDER TYPE, NICKEL PLATED SHELL
4.	PVC MOLDED HOUSING, BLACK COLOR
5.	DC JACK 1.3mm 30V 0.3V
6.	SCREW:#4x23.32 M2

Jargy part no.	Client part no.	Approved	SCALE	UNIT
CBL-HFD3SAB5MBHPW-xmRA				mm
Drawing Name		Drawn	Date	REV.
USB 3.0 A to Micro-B Cable M/M				1.0



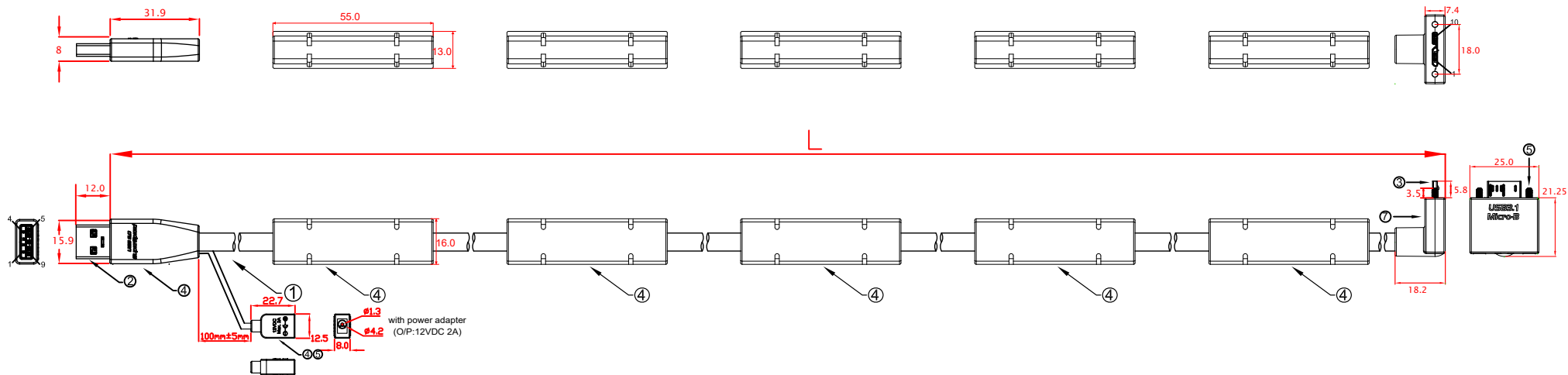
- L:
- | | |
|-------------------------|--------------|
| CBL-HFD3SAB5MBHPW-16mUA | 16000mm±50mm |
| CBL-HFD3SAB5MBHPW-17mUA | 17000mm±50mm |
| CBL-HFD3SAB5MBHPW-18mUA | 18000mm±50mm |
| CBL-HFD3SAB5MBHPW-19mUA | 19000mm±50mm |
| CBL-HFD3SAB5MBHPW-20mUA | 20000mm±50mm |

PIN OUT



No	MATERIALS LIST:
1.	CABLE: 3 x (2 x 28 AWG)ST + 2 x 26 AWG O.D.:.6.1mm COLOR:RED LILAC
2.	CONNECTOR:USB 3.0 A/M, 9P, BLUE INSULATOR SOLDER TYPE, NICKEL PLATED SHELL
3.	CONNECTOR:USB 3.0 MicroB/M, 10P, BLACK INSULATOR SOLDER TYPE, NICKEL PLATED SHELL
4.	PVC MOLDED HOUSING, BLACK COLOR
5.	DC JACK 1.3mm 30V 0.3V
6.	SCREW:#4x23.32 M2
7.	ABS ASSEMBLY HOUSING, BLACK COLOR

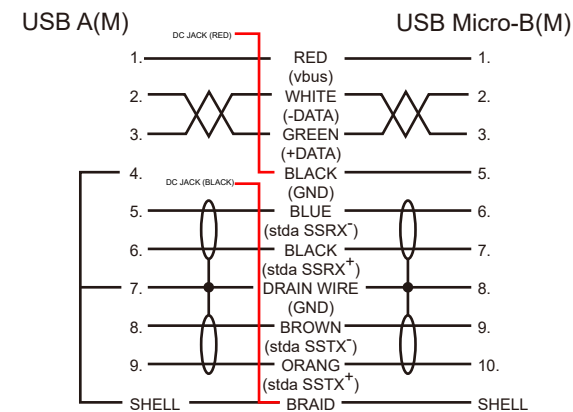
Jargy part no.	Client part no.	Approved	SCALE	UNIT
CBL-HFD3SAB5MBHPW-xmUA				mm
Drawing Name		Drawn	Date	REV.
USB 3.0 A to Micro-B Cable M/M				1.0



L:

CBL-HFD3SAB5MBHPW-16mDA	16000mm±50mm
CBL-HFD3SAB5MBHPW-17mDA	17000mm±50mm
CBL-HFD3SAB5MBHPW-18mDA	18000mm±50mm
CBL-HFD3SAB5MBHPW-19mDA	19000mm±50mm
CBL-HFD3SAB5MBHPW-20mDA	20000mm±50mm

PIN OUT



No	MATERIALS LIST:
1.	CABLE: 3 x (2 x 28 AWG)ST + 2 x 26 AWG O.D.:.6.1mm COLOR:RED LILAC
2.	CONNECTOR:USB 3.0 A/M, 9P, BLUE INSULATOR SOLDER TYPE, NICKEL PLATED SHELL
3.	CONNECTOR:USB 3.0 MicroB/M, 10P, BLACK INSULATOR SOLDER TYPE, NICKEL PLATED SHELL
4.	PVC MOLDED HOUSING, BLACK COLOR
5.	DC JACK 1.3mm 30V 0.3V
6.	SCREW:#4x23.32 M2
7.	ABS ASSEMBLY HOUSING, BLACK COLOR

Jargy part no.	Client part no.	Approved	SCALE	UNIT
CBL-HFD3SAB5MBHPW-xmDA				mm
Drawing Name		Drawn	Date	REV.
USB 3.0 A to Micro-B Cable M/M				1.0